



DH SERIES

DHJ600P

APPLICATION

- House & garden water supply
- Rainwater tank pump set
- Water transfer

FEATURES

- Automatic pressure controller (Start & Stop on demand)
- Run dry protection
- Suitable for toilet & laundry supply

CONSTRUCTION

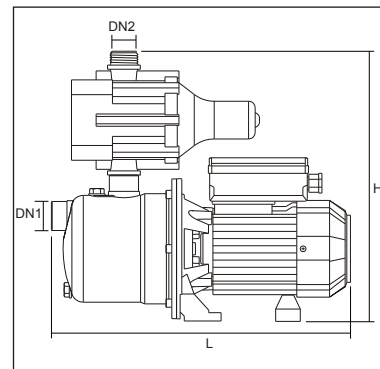
- Technopolymer pump housing
- Noryl volute, impeller & venturi
- Stainless Steel motor & pump shaft
- Brass coupling
- Carbon / Ceramic mechanical seal
- Motor IP44



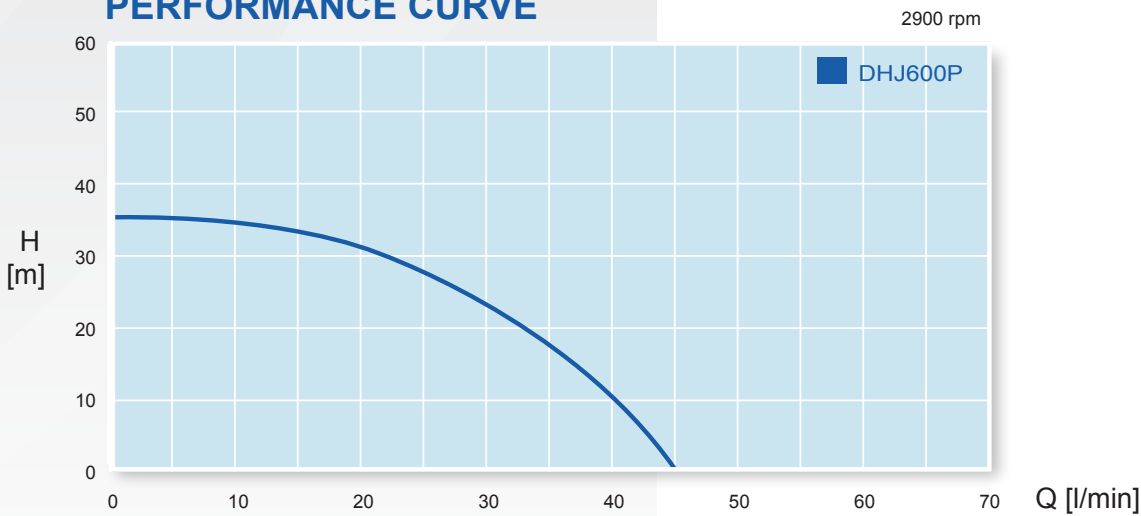
PRESSURE PUMPS

DIMENSIONS

Pump Model	Size (mm)		DN1	DN2	G.W (KG)
	H	L			
DHJ600P	385	337	25F	25M	8.1



PERFORMANCE CURVE



TECHNICAL DATA

Pump Model	Tap Qty Guide	Pump Style	Power (P1) (kW)	Amps (A)	Voltage (V)	CONNECTION		
						Inlet (mm)	Outlet (mm)	Cable (mtrs)
DHJ600P	3	Jet & Venturi	0.6	2.5	220-240V	25	25	1.5